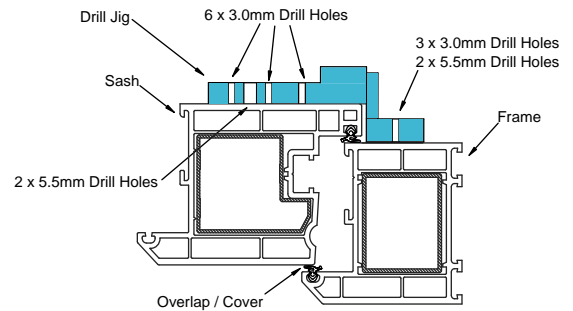


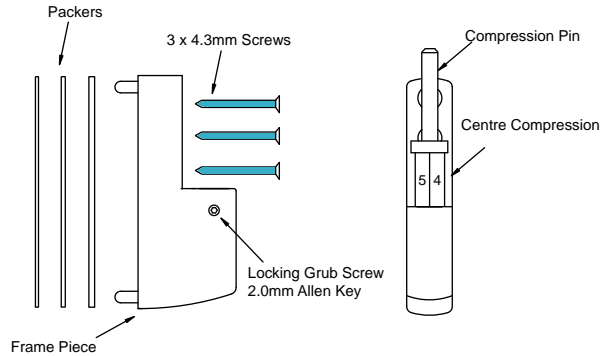
Please Note : All allen keys provided in each box.
The hinge should be fixed into re-inforcing on sash and frame.

1). Set the sash/frame to the required cover/overlap, position the jig over the sections and drill :
4 x 5.5mm Holes
9 x 3.0mm Holes



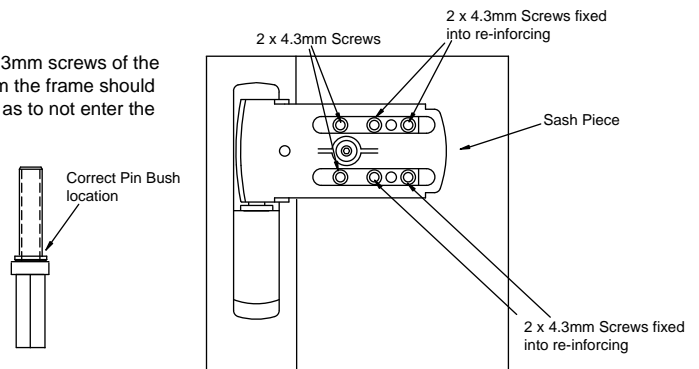
2. Un-tighten the locking grub screw and remove the pin from the frame piece. Select the required packer configuration and place under the base, attach to the frame locating into the 5.5mm pre-drilled holes. Fix using 3 x 4.3mm screws of the appropriate length to fix into the re-inforcing.

3). Place the pin back into the frame piece with the compression adjustment set to 4/5 when looking face on. This is the centre compression setting.



4). Attach the sash piece to the frame piece compression pin and fix using 6 x 4.3mm screws of the appropriate length for the section used. The 4 screws situated furthest away from the frame should be fixed into re-inforcing. The 2 screws nearest the frame will usually be smaller as to not enter the eurogroove area.

5). Ensure that the pin bush is correctly located for the handing of the door.



Adjustment.

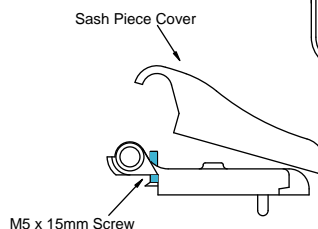
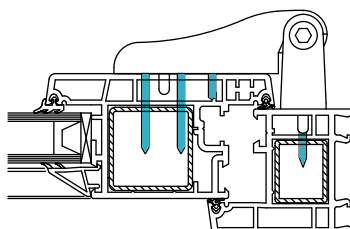
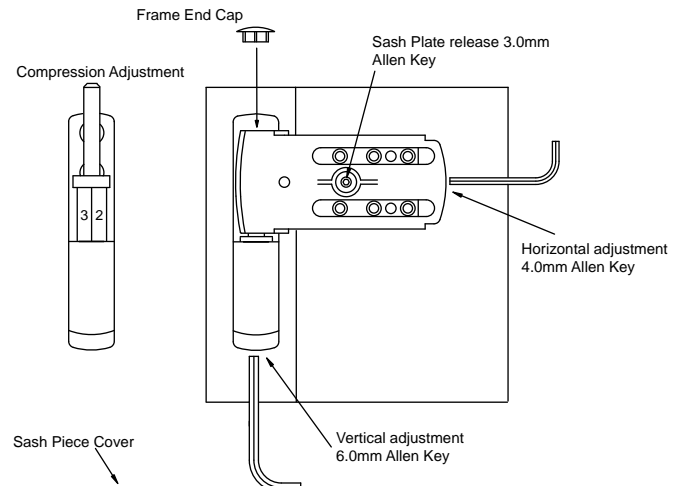
6). Check the cover/overlap and compression settings.

Horizontal Adjustment - Release sash plate (half a turn will suffice) with a 3.0mm allen key. With a 4.0mm allen key turn the horizontal adjustment screw until the correct adjustment is achieved. Re-fix sash plate (do not over tighten).
Adjustment +10mm, -4.0mm

Vertical Adjustment - Using a 6.0mm allen key turn the height adjustment screw clockwise to adjust vertically upwards or anti-clockwise for downward until correct adjustment is achieved.
Adjustment +2.5mm, -1.0mm

Compression Adjustment - Un-hang the door and remove the pin, re-set to another marked point increasing or decreasing compression until the correct setting is achieved.
Adjustment +1.5mm, -1.5mm

7). Fix Pin using a 2.0mm allen key, fix the sash piece cover using the M5 x 15mm screw provided and push the frame end cap into the provided slot.




Unit 4
The Moorings Business Park
Exhall, Coventry
CV6 6RH
T: 02476 585 785
F: 02476 585 786
E: sales@fabnfix.co.uk
www.fabnfix.co.uk

Issue	Description	Drawn	Chkd	Date
1	ORIGINAL ISSUE	WMH	AW	28.10.02